

UL Series

PUSH AROUND MAST LIFTS



- Robust push-around mast lifts
- Patented Girder Lock mast design for stable working up to 14.1m
- Compact dimensions
- Passes through a standard doorway
- Easy loader system for flatbed vehicle transport

 **snorkel**
www.snorkellifts.com

PUSH AROUND MAST LIFTS

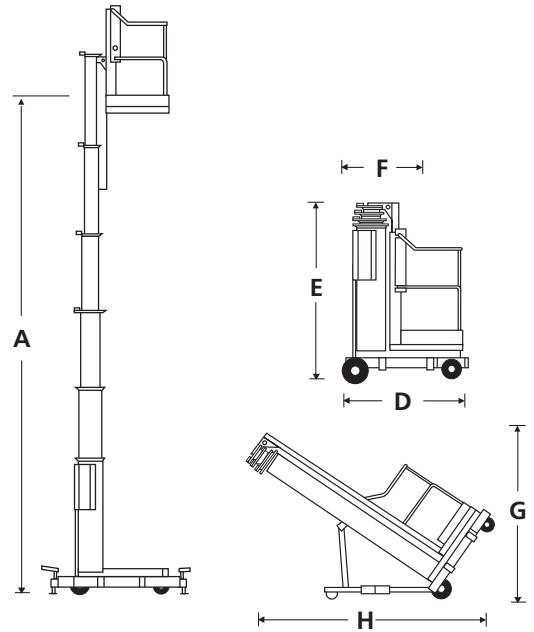
UL Series

DIMENSIONS	UL25	UL32	UL40
Max. working height	9.6m	11.7m	14.1m
Max. platform height (A)	7.6m	9.7m	12.1m
Platform length	0.56m	0.56m	0.56m
Platform width	0.66m	0.66m	0.66m
Outrigger footprint (B x C)	2.06m x 1.99m	2.06m x 1.99m	2.95m x 2.85m
Overall width (F)	0.74m	0.74m	0.74m
Overall length (D)	1.26m	1.32m	1.32m
Stowed height (E)	1.99m	2.51m	2.9m
Tilt back height (G)	1.95m	1.95m	2.0m
Tilt back length (H)	2.6m	2.64m	2.99m

PERFORMANCE			
Platform capacity (SWL)	159kg	136kg	136kg
Max. wind speed	0m/s	0m/s	0m/s
Raise/lower time	43/23 seconds	57/26 seconds	60/40 seconds
Wheels	250mm x 64mm rear, 150mm casters front		
Controls	push button		
Wall access (Distance from platform front to wall)	356mm	356mm	736mm

POWER		
Power source (AC)	120/220V AC 50HZ	
Power source (DC)	1 X 12V 105Ah battery	

WEIGHT			
Weight (AC)	390kg	435kg	470kg
Weight (DC)	420kg	465kg	500kg



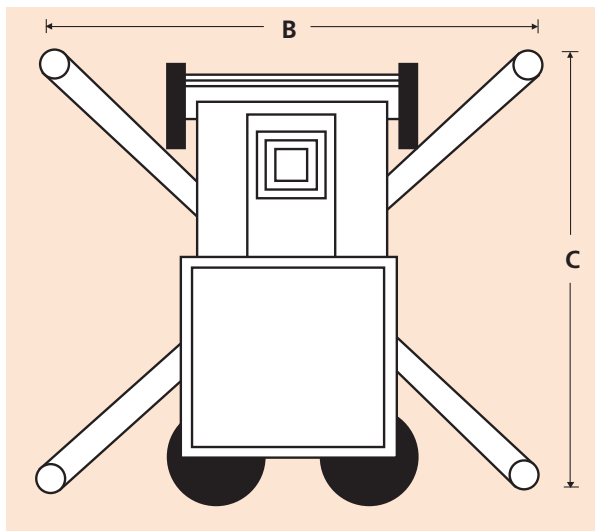
STANDARD FEATURES

- Patented Girder Lock telescopic mast system
- Integrated tilt-back system
- Ground level entry
- EZ loader system for transport
- Outrigger interlock indicators
- Integrated battery charger (DC only)
- Non-marking wheels and casters
- 2 year parts & labour, 5 year structural warranty
- CE approved

OPTIONS

- Special paint colours
- Tool tray
- Laser locator
- Environmental hydraulic oil

OUTRIGGER FOOTPRINT



Sales
Rental
Service

HELI.be

Vantegemstraat 9 | B-9230 Wetteren | +32 9 368 80 80 | info@heli.be

snorkel www.snorkellifts.com

Vigo Centre, Birtley Road,
Washington, Tyne & Wear,
NE38 9DA, U.K.

t: +44 (0) 845 1550 057
e: sales@snorkellifts.com