

LGMG

SC0407E

CRAWLER SCISSOR LIFT

- Easy to navigate slopes or uneven ground, excellent performance across obstacles, ideal for harsh construction environments.
- Compact in size with 360 degree turning on the spot, suitable for use in narrow spaces.
- Large-screen ECU, easy to operate, user friendly.
- Pull out battery tray and removable side cover of motor make maintenance convenient.



LGMG Crawler Scissor Lift

SPECIFICATIONS

Models	SC0407E (SC1532E)	
Measurements	Metric	Imperial
Work Height Max.	6.5m	21'4"
A Platform Height-Raised	4.5m	14'9"
B Platform Length	1.29m	4'3"
C Platform Width	0.7m	2'4"
D Overall Length	1.47m	4'10"
E Overall Width	0.78m	2'7"
F Overall Height-Guardrails Up	1.99m	6'6"
G Extension Deck	0.6m	2'
H Wheelbase	0.95m	3'1"
Ground Clearance	118mm	5"

Productivity	
Max. Platform Occupancy	1(in) / 0(out)
Platform Capacity	200kg / 441 lbs
Platform Capacity-Extension Deck	115kg / 254 lbs
Gradeability-Stowed	25% / 25%
Min. Turning Radius	Turning on the spot
Raise/Lower Speed	20s/20s / 20s/20s

Power	
Power Source	24V 130Ah / 24V 130Ah

Hydraulic System	
Hydraulic Oil Capacity	4L / 1gal

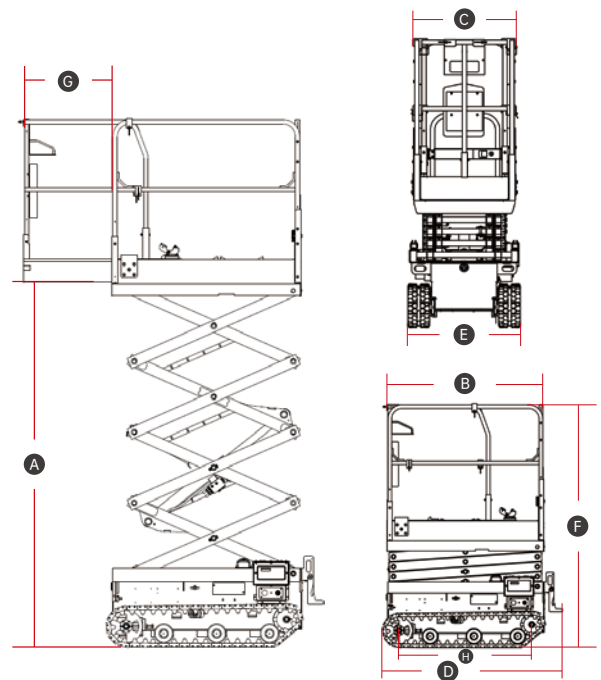
Weight	
Machine Weight (CE/ANSI)	800kg / 1764 lbs

STANDARD FEATURES

Proportional control	Tilt alarm with lift cut-out
Emergency stop device	Overload sensing system
Emergency descent	Descent alarm with flashing beacon
Self-lock entry gate	Intelligent diagnostic system
All motions alarm	Non-marking crawlers
Foldable ladder	Maintenance-free battery
Single joystick controller	

OPTIONAL

AC power to platform	Biodegradable hydraulic oil
Voice alarm system	Telematics
Dual joystick controller	



Please contact LGMG or a local dealer for more details.

LGMG reserves the right to change technical data without prior notice. All photos and pictures in this brochure are for promotional purposes only.

This brochure comes into effect in May, 2023.

LINGONG HEAVY MACHINERY CO., LTD.

Address: No. 2676, Kejia Road, Jinan, Shandong, China
 Email: sales@lmgm.com.cn Tel: +86 531 6787 9283

LGMG Europe B.V.

Address: Donker Duyvisweg 301, 3316 BL Dordrecht, The Netherlands
 Email: sales@lmgmeurope.com Tel: +31 850 642 777

LGMG North America Inc.

Address: 4105 Live Oak Drive, Suite 100, The Colony, Texas 75056 United States
 Email: sales@lmgmna.com Tel: +1 833 288 5464

www.lmgmlifts.com



LGMG
 RELIABILITY IN ACTION