



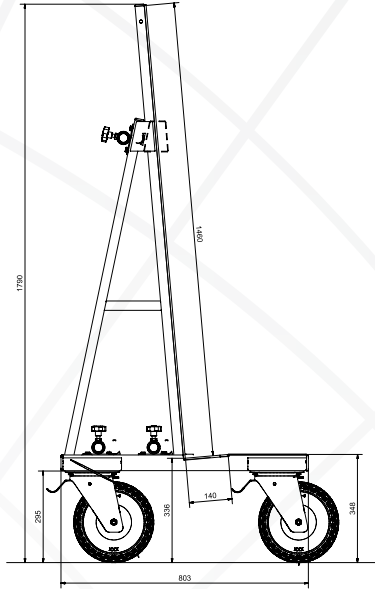
Sales
Rental
Service

Vantegemstraat 9 | B-9230 Wetteren | +32 9 368 80 80 | info@heli.be

HELI.be



UPT 600



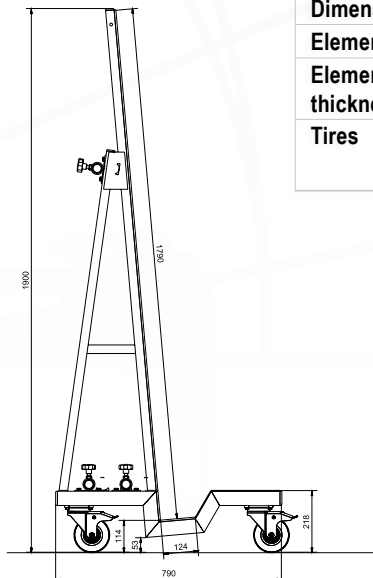
Technical Data

Lifting capacity	up to 600 kg
Tare weight	63 kg
Dimensions	2.000 x 803 x 1.790 mm
Element size	max. 6.000 x 3.500 mm
Element thickness	up to 140 mm
Tires	Air (Ø 300mm)

Features

- » Dismountable without tools
- » Transport possible by car
- » 1-man-control
- » Wheels single fixable

UPT 800



Technical Data

Lifting capacity	up to 800 kg
Tare weight	50 kg
Dimensions	2.000 x 790 x 1.900 mm
Element size	max. 6.000 x 3.500 mm
Element thickness	up to 120 mm
Tires	Heavy duty (Ø 160mm)